



PALLET TRUCK SCALE

# TPWN

BEST-SELLER FOR OVER 20 YEARS



**DINI ARGEO**  
Scales - Weighing systems

A RICE LAKE WEIGHING SYSTEMS COMPANY

PALLET TRUCK SCALE TPWN



A worker in a black t-shirt and grey cargo pants is walking through a large warehouse. He is wearing black gloves and looking down at something in his hands. The warehouse is filled with stacks of materials, including rolls of paper and boxes. In the background, there is a green pallet truck and a yellow forklift. The floor is concrete and has some yellow lines.

# TOP ENTRY LEVEL

- ▶ **TPWN** is the only entry-level pallet truck scale manufactured, calibrated and tested in Italy, equipped with high-end features and 0.2 kg resolution
- ▶ Each pallet truck is supplied with a test certificate, to guarantee the declared accuracy
- ▶ The innovative technology without a junction box allows for digital reading of each load cell, increasing **reliability** and reducing maintenance requirements

PALLET TRUCK SCALE TPWN



PRODUCTION LINE BASED IN FIORANO MODENESE

MANUFACTURED  
IN **ITALY**

DINI ARGEO PALLET TRUCKS  
ARE MADE IN ITALY  
BY HIGHLY QUALIFIED STAFF.



TPWN



UNBREAKABLE GLASS

## MULTIPURPOSE INDICATOR

- ✓ Dini Argeo electronics and software
- ✓ Large backlit LCD display, with unbreakable and easy-to-clean glass
- ✓ Many functions available, such as tolerance control, piece counting and weight totalisation
- ✓ Power supply available via a rechargeable battery or AA batteries, for a long working autonomy
- ✓ Fully digital recalibration

CARE FOR  
**DETAILS**

DINI ARGEO, FOR OVER 100 YEARS IN THE WEIGHING FIELD, STANDS FOR QUALITY, EFFICIENCY AND RELIABILITY.



### **STURDY AND HANDY**

The TPWN is the most handy PTS on the market, while maintaining a robust and rigid design. The steel and shockproof column ensures maximum protection of the weighing electronics from accidental impact.

### **DINI ARGEO LOAD CELLS**

Weight acquisition is possible thanks to Dini Argeo's approved load cells. The high IP67 protection rating allows for use even the harshest of environments.

### **QUICK LIFTING**

Gain greater efficiency within your warehouse thanks to the quick lifting pump: 3 movements are enough to weigh the pallet, thus allowing the operator to save time and energy.

# PALLET TRUCK SCALE TPWN





# EVER MORE **STURDY**

# EVER MORE **ACCURATE**

**TPWN pallet truck scales** are designed specifically for those who are looking for a quality economic solution, but do not want to compromise the precision and reliability which **Dini Argeo** weighing systems provide.

**TPWN** is ideal to perform multiple tasks, including:



Weighing of handled pallets



Control of goods in and out of the warehouse



Optimisation of loading phases



PALLET TRUCK SCALE TPWN



DINI ARGEO PALLET TRUCK SCALES  
CALIBRATION MACHINE

# CERTIFIED and TESTED



## TEST REPORT

TPWNB

Manufactured in Dini Argeo facility - 41042 Fiorano Mod.se (MO), ITALY

Product	TPWNB
Serial Number	1209348756
Capacity (F.S.)	2000 kg
Resolution	0.2 kg

### TEST DETAILS

Test Weight	Tolerance	Result
500 kg	≤ 0.05% F.S.	☑
1000 kg	≤ 0.05% F.S.	☑
2000 kg	≤ 0.05% F.S.	☑

Date

Signature  
Q.C. dept.



DINI ARGEO ALSO OFFERS  
A **RECALIBRATION AND  
PERIODICAL CALIBRATION**  
SERVICE OF ITS PALLET TRUCK  
SCALES.



PALLET TRUCK SCALE **TPWN**



# CONCEIVED TO **LAST** OVER **TIME**

- ▶ Every part subject to wear and tear is always available in stock and **ready for delivery**
- ▶ Specialized service centres, **located across the globe**, help to ensure a long life to your pallet truck



WATCH OUR **TUTORIAL VIDEOS**  
TO KEEP YOUR PALLET TRUCK  
PERFORMING AT ALL TIMES



ROLLER AND SKIDS REPLACEMENT



OIL FILLING

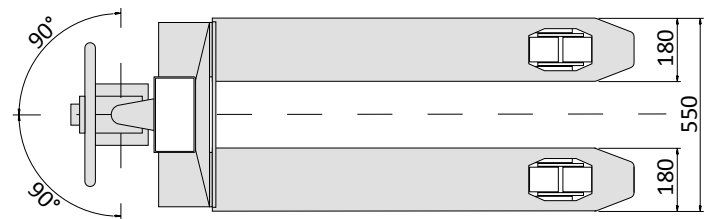
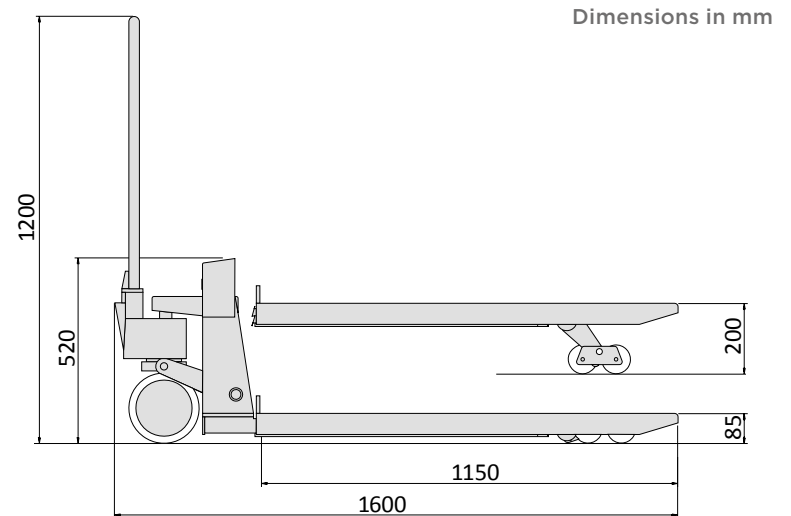


VALVE REPLACEMENT

# TECHNICAL FEATURES

## TPWN

Accuracy	0,05% F.S.
Resolution	0,2 kg
Max capacity	2000 kg
Maximum overload accepted	Up to 150% of the nominal load
Load cells	Dini Argeo, OIML approved
Auto-zeroing function	Automatic
Operating time	Up to 80 h
Total weight	105 kg



# PROTECTION AND **SUSTAINABILITY**



Every **TPWN** pallet truck is protected by a secure **100% recyclable** packaging to guarantee a perfect product upon delivery, while preserving the environment.

PALLET TRUCK SCALE **TPWN**



DINI ARGEO DEALER NETWORK:  
OVER 3500 PARTNERS  
IN MORE THAN 85 COUNTRIES ACROSS THE WORLD

“YOUR WORLDWIDE PARTNER FOR WEIGHING”



A RICE LAKE WEIGHING SYSTEMS COMPANY

The information in this document is approximate and can be subject to variations without prior notice by Dini Argeo, with respect of the norms in force. The official technical data is available in the updated version on the [www.diniargeo.com](http://www.diniargeo.com) web site or by contacting the Dini Argeo Customer Service.

TPWN\_2009V1\_NEN

#### COMPANY HEADQUARTERS

Via Della Fisica, 20  
41042 Spezzano di Fiorano Modena • Italy  
Tel. +39.0536 843418

#### SERVICE ASSISTANCE

Via Dell'Elettronica, 15  
41042 Spezzano di Fiorano Modena • Italy  
Tel. +39.0536 921784

#### OTHER DINI ARGEO LOCATIONS

DINI ARGEO WEIGHING INSTRUMENTS Ltd  
China

DINI ARGEO UK Ltd  
United Kingdom

DINI ARGEO FRANCE sarl  
France

DINI ARGEO GMBH  
Germany

Tel: 01296 393133 [www.oakleyweigh.co.uk](http://www.oakleyweigh.co.uk) email: [info@oakleyweigh.co.uk](mailto:info@oakleyweigh.co.uk)

SALES SERVICE AND TECHNICAL ASSISTANCE