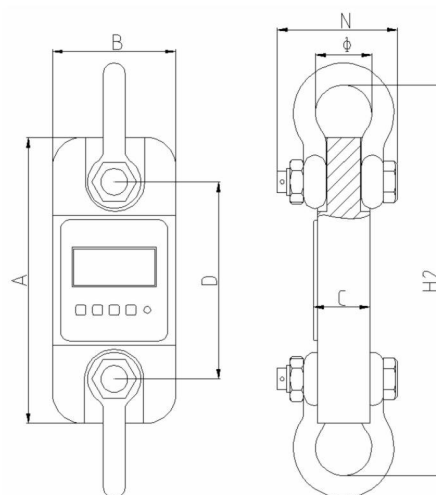




## Digital Dynamometer

Model: DL-R



- ◆ **Body protection:** Aluminum and alloy steel capacities are powder coated.
- ◆ **Accuracy:** 0.05% for 1-50t, 0.1% for above 50t capacity.
- ◆ **Units:** Available in the following measurement reading: kilograms(kg), short Tons(t) pounds(lb), Newton and kilonewton(kN).
- ◆ **Battery:** 3pcs AA size alkaline batteries, 50 hours radio continuous using.
- ◆ **Display:** 25mm(1") 5digits LCD with back light for easy distant viewing.
- ◆ **Shackles:** High tension industrial standard G2130 anchor shackle bows, galvanized finish.
- ◆ **Ultimate Load:** 400% of capacity.
- ◆ **Operation temperature:** -20°C to 50°C.
- ◆ **Gravity regulation:** The acceleration of gravity can be regulated through wireless indicator according to different places value.
- ◆ **Functions:** Zero, tare, Low battery warnings, peak hold, overload warning. User calibration.
- ◆ **Package:** Packed with carry case, easy to bring.

### DIMENSIONS AND SPECIFICATIONS

MODEL	Cap.(kg)	Resolution (kg)	A(mm)	B(mm)	C(mm)	D(mm)	φ(mm)	H(mm)	Unit Weight (kg)	Weight with shackles(kg)	Material
DL-R-1	1000	0.5	245	112	37	190	43	335	1.6	3.1	Aluminum
DL-R-2	2000	1	260	123	37	195	51	365	2.1	4.6	Aluminum
DL-R-3	3000	1	260	123	37	195	51	365	2.1	4.6	Aluminum
DL-R-5	5000	2	285	123	57	210	58	405	2.7	6.3	Aluminum
DL-R-10	10000	5	320	120	57	230	92	535	10.4	24.8	Alloy Steel
DL-R-20	20000	10	375	128	74	260	127	660	17.8	48.6	Alloy Steel
DL-R-30	30000	10	420	138	82	280	146	740	25	73	Alloy Steel
DL-R-50	50000	20	465	150	104	305	184	930	39	128	Alloy Steel
DL-R-100	100000	50	570	190	132	366	229	1230	81	321	Alloy Steel
DL-R-200	200000	100	720	265	183	440	280	1362	210	776	Alloy Steel