



## Specification

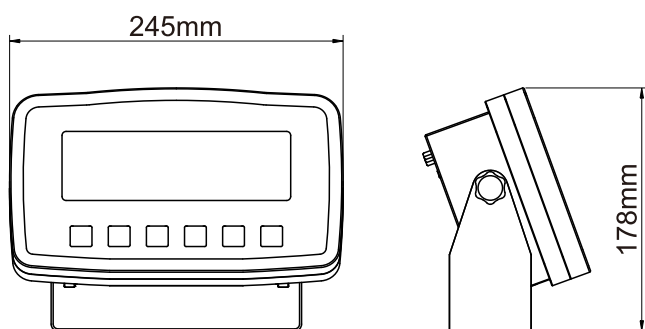
Accuracy Class	Class III (eqv. to OIML R76)
Internal Resolution	1 000 000 counts
Measurement Rate	10 measurements/s
Loadcell Excitation Voltage	3.30±3% Vdc (typ.)
AC Power Voltage	110~120 or 220~240 Vac / 50~60 Hz
Battery Life	50 ~ 130 hours (typ.)
Operating Temperature	-10 ~ +40 degC (+14 ~ +104 degF)
Operating Humidity	0 ~ 90 % (rel.) at 20 degC
Indicator Net Weight	1.55 kg (3.40 lb)

## Features

- ABS plastic housing and stainless steel bracket
- 6-digit 1.2inch/30mm high-intensity LED display
- 6-digit 1.6inch/40mm LCD display with backlight
- 6-key flat tact switch keypad
- Drives up to 8x350ohm loadcells
- Built-in 6V/4.0Ah rechargeable battery
- 1 configurable user-defined function key
- 2 configurable software set-points
- Full duplex RS-232 communication port



## Dimensions



## Options

- Measurement unit switch function (m)
- Preset tare function (t)
- Extended serial interface printing driver (p)
- Calibration switch with seal protection (S)
- Real-time clock with backup battery (C)
- RS-485 communication port (8)
- RF kit for RF scoreboard or RF transmitter (F)

## Ordering Information



HF12E - 2(8)(C)(F)(S)(m)(p)(t)



HF12C - 2(8)(C)(F)(S)(m)(p)(t)

## Accessories



HX14F  
RF Transmitter



Various  
Thermal Printer

# HEAVYE®

*Make those heavy easy!*

Hangzhou Heavye Technology Co., Ltd.

E-mail: [info@heavye.com](mailto:info@heavye.com)

Tel.: +86-571-8673 9671

Fax: +86-571-8673 9672

Web.: [www.heavye.com](http://www.heavye.com)