

Loadshackle



Features and benefits:

- Robust construction
- Compact size and low headroom
- Every Loadshackle proof tested
- Lightweight
- Unrivalled resolution
- Push button tare
- Environmentally sealed to IP67/NEMA6
- Peak hold
- Advanced options available for subsea applications
- Manufactured using industry leading brand shackles
- mv/v or analog signal options
- Design validated by F.E.A.



Requires connection to Straightpoint's Handheld plus (HHP), Desktop Controller data logging software (DCP10M) or External Amplifier range (SA-3420) that can be configured to provide outputs such as 4-20mA, 0-10v, 0-5v for PLC or data logger integration.

Available from stock in capacities 3.25t to 120t, and available up to 1,550t, Straightpoint's Loadshackle is manufactured from Crosby's industry leading 2130 Carbon and 2140 Alloy Bolt Type Anchor Shackles (3.25te - 120te) and the GN H10 Alloy Bolt Type Anchor Shackle (200te on up). The Loadshackle offers reduced overall weight and headroom providing a great fit for low headroom applications.

Utilising the same advanced microprocessor based electronics as all Straightpoint products, Straightpoint's cabled Loadshackle benefits from high sampling rates, extreme resistance to industrial level noise and unprecedented stability.

A huge range of tooling allows Straightpoint to calibrate in shackle for extra accuracy unlike many other load cell

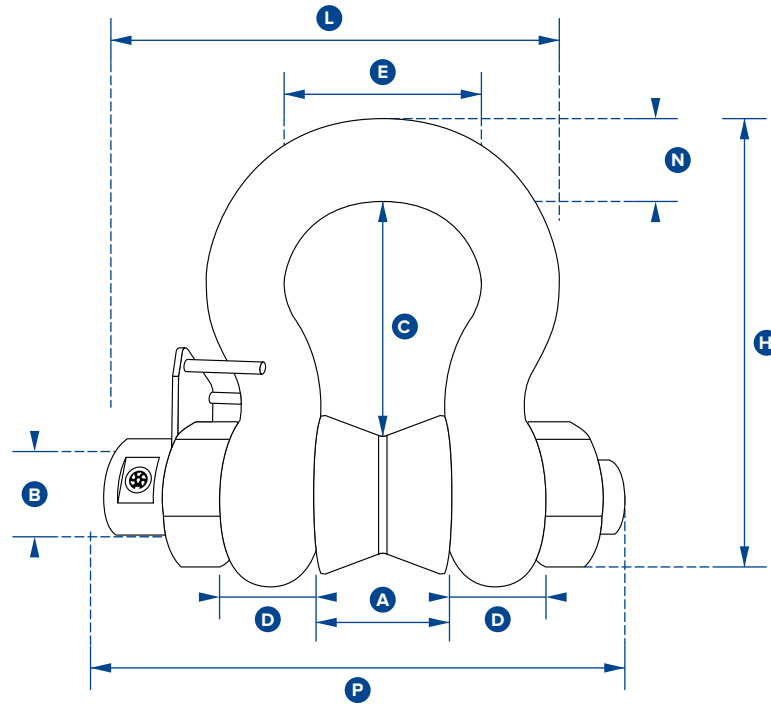
manufacturers. Straightpoint cabled Loadshackles are also environmentally sealed to IP67 and, as an option, sealed for permanent submersion for sub-sea use.

The cabled Loadshackle range can be used with digital displays including the Straightpoint Handheld plus, PLCs, data acquisition systems (DAQ), etc. and configured with a vast array of output formats to include mV/V, RS-422, RS-485, utilising the ASCII, MODBUS TRU and CAN-BUS protocols or supplied with integral amplifier allowing analogue outputs such as 4-20mA, 0-10v, 0-5v etc.

Whether used in heavy lifting, mooring anchor placement or sub-sea applications, Straightpoint's cabled Loadshackle offers robust construction, advanced electronics, industry leading resolution and accuracy all at a cost-effective, affordable price.



making the lifting industry a safer place



Part Number	SLB3.25T	SLB6.5T	SLB12T	SLB25T	SLB55T	SLB85T	SLB120T	SLB200T	SLB300T	SLB400T
Capacity	3.25te	6.5te	12te	25te	55te	85te	120te	200te	300te	400te
	7150lb	14300lb	26400lb	55000lb	120000lbs	185000lbs	260000lbs	440000lbs	660000lbs	880000lbs
Resolution	0.005te	0.005te	0.01te	0.02te	0.05te	0.05te	0.1te	0.2te	0.5te	0.5te
	10lb	10lb	20lb	50lb	100lb	100lb	200lb	200lb	1000lb	1000lb
Units	tonne									
	lb									
Weight	2.8kg	3.2kg	8kg	18kg	25kg	45kg	85kg	254kg	374kg	614kg
	6.16lb	7lb	17.6lb	40lb	55lb	99lb	187lb	560lb	825lb	1354lb
Safety Factor	5:1 when used with load bobbin									
Operating Temp	-10°C to +50°C / 14°F to 122°F									
Accuracy	±1% of applied load									
Protection	IP67 std or sub sea as POA option / NEMA 6									
Dimension A	26.9	36.6	51.5	73	82.5	105	127	180	205	230
	1.06"	1.44"	2.03"	2.87"	3.25"	4.13"	5.00"	7.09"	8.07"	9.06"
Dimension ØB	19.1	25.4	35.1	51	57	70	82.5	125	150	175
	0.75"	1.00"	1.38"	2.01"	2.24"	2.76"	3.25"	4.92"	5.91"	6.89"
Dimension C	56.9	79.7	113	170	189.5	253	319.5	334	398	440
	2.24"	3.14"	4.45"	6.69"	7.46"	9.96"	12.58"	13.15"	15.67"	17.32"
Dimension D	14.46	22.4	31.8	44.5	51	66.5	76	120	130	165
	0.57"	0.88"	1.25"	1.75"	2.01"	2.62"	2.99"	4.72"	5.12"	6.50"
Dimension E	42.9	58	82.5	127	164	184	200	290	305	325
	1.69"	2.28"	3.25"	5.00"	6.46"	7.24"	7.87"	11.42"	12.01"	12.80"
Dimension H	103.3	148	210	313	348	453	546	810	950	1100
	4.07"	5.83"	8.27"	12.32"	13.70"	17.83"	21.50"	31.89"	37.40"	43.31"
Dimension L	124.2	153.5	193.8	278	303	365	405	577	612	702
	4.89"	6.04"	7.63"	10.94"	11.93"	14.37"	15.94"	22.72"	24.09"	27.64"
Dimension N	17.5	24.6	35.1	57	61	79	92	120	130	165
	0.69"	0.97"	1.38"	2.24"	2.40"	3.11"	3.62"	4.72"	5.12"	6.50"
Dimension P	140	170	215	290	314	391	438	562	612	707
	5.51"	6.69"	8.46"	11.42"	12.36"	15.39"	17.24"	22.13"	24.09"	27.83"