



MTB Vet Scale

The MTB scale offers a versatile solution for weighing small animals. A cleverly designed ergonomic cradle provides comfortable support for tiny creatures, and can be removed to weigh directly on the non-slip rubbermat. Easy to read LCD. Memory feature recalls last weight taken.

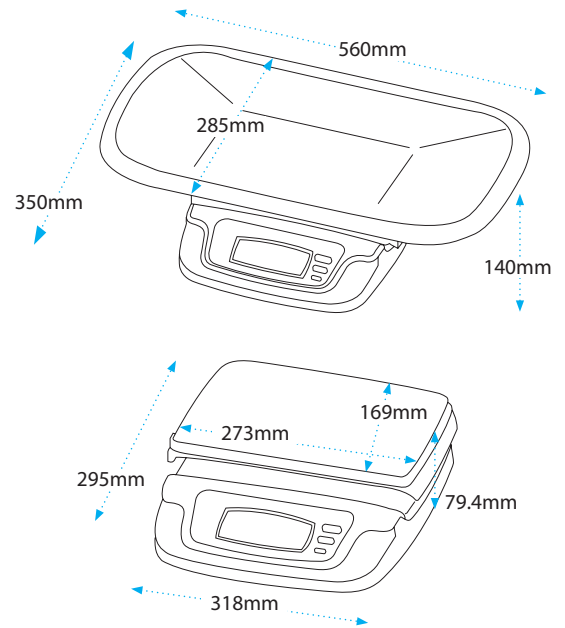


Features

- High-contrast display is easily visible from a distance
- Memory features can recall the last weight used
- Cradle can easily be removed for cleaning
- Ergonomic cradle provides comfortable support
- Lightweight design simplifies transport and portability
- Auto power-off to save energy
- External calibration allows for verification and adjustment with weights
- Simple operation allows quick startup and use with little or no training
- Operates with AC adapter (included) or batteries (not included)

Applications

- Weighing



Model	MTB20
Capacity	20kg
Readability	5g
Repeatability (S.D.)	5g
Linearity (+/-)	10g
Pan Size	285x560mm
Weighing Units	kg, lb, lb:oz
Stabilisation Time (sec)	2
Calibration	External calibration
Display	LCD with 29mm-high digits
Power Supply	6VDC 500mA Adapter / 4 x AA batteries
Operating Temperature	10° to 40°C
Housing	ABS
Overall Dim.	560x350x140mm (wxdxh)
Net Weight	3.2kg

Supplied by:

For more than 40 years, professionals worldwide have relied on Adam Equipment for an extensive selection of dependable and affordable weighing equipment. Adam provides the right balance of speed, performance and value.