



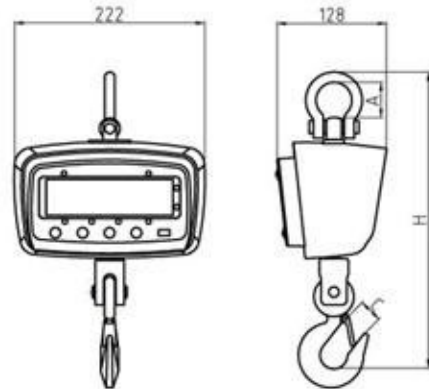
OCS-SP SERIES

Mid-Range Hanging Scale



Features

- IP54 rated
- Powder coated die cast aluminium housing
- 360° rotating hook
- Selectable weighing units
- 30mm LED display
- Full range tare.
- Remote control
- Bluetooth option



Specifications

MODEL	CAPACITY kg	DIVISION g	OVERALL HEIGHT mm	WEIGHT kg
OCS-SP-100	100	50	320	5
OCS-SP-300	300	100	320	5
OCS-SP-500	500	200	345	5
OCS-SP-1000	1000	500	345	5