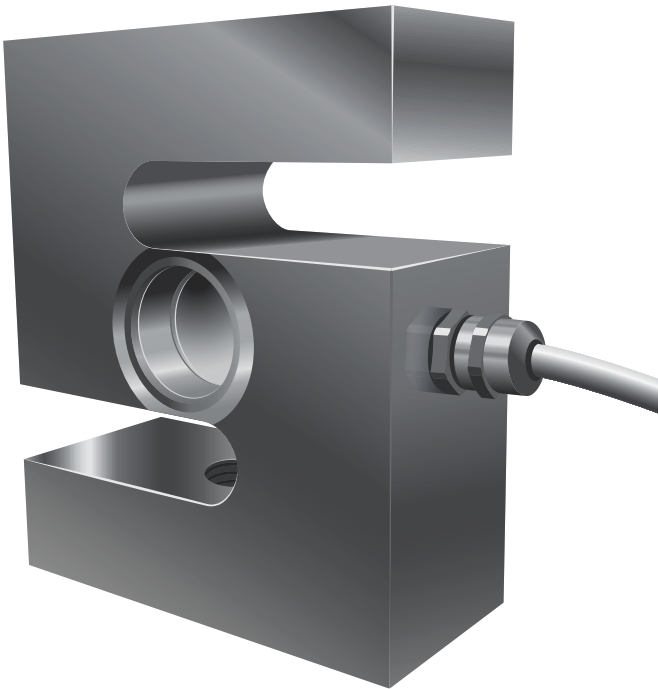


'S' beam load cell



Features and benefits:

- Fully sealed up to IP67
- High accuracy
- High endurance
- Built-in overload protection
- High capacity/Low capacity
- Compact designs available for tight environment
- In both tension and compression
- Single point construction



Requires connection to Straightpoint's Handheld plus (HHP), Desktop Controller data logging software (DCP10M) or External Amplifier range (SA-3420) that can be configured to provide outputs such as 4-20mA, 0-10v, 0-5v for PLC or data logger integration.

A range of stainless steel 'S' Beam load cells from 100kg to 5t. The Straightpoint 'S' Beam range of tension/compression load cells is suitable for smaller silo, vessel and tank weighing applications or for building into OEM projects, testing machines, etc.

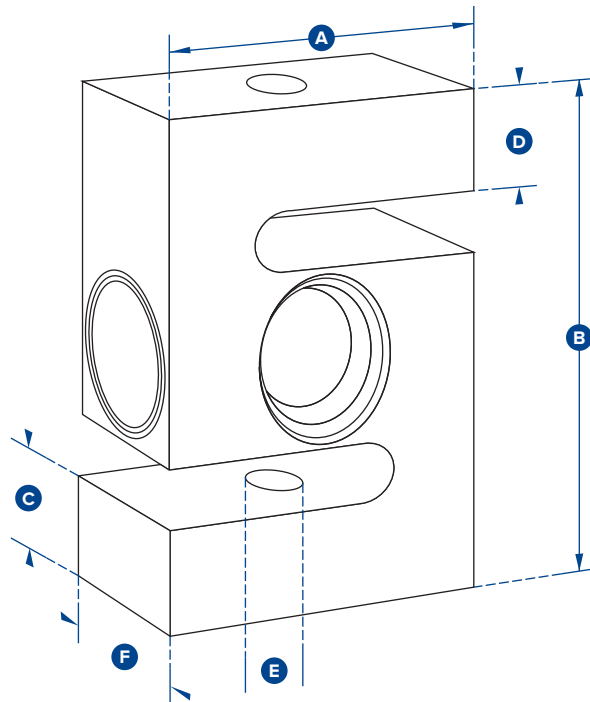
Hardwired, they are supplied with a 10 metre cable and can be connected to the Straightpoint range of accessories such as the Handheld plus.

The 'S' Beam load cell can be used in both tension or compression and has a threaded hole at each end making it a very flexible solution.

Fitting options available including threaded bar, rod end bearing and eyebolts.



making the lifting industry a safer place



Part Number	SB500K	SB1T	SB2T	SB5T
Capacity	500kg	1te	2te	5te
	1100lb	2200lb	4400lb	11000lb
Resolution	0.2kg	0.0005te	0.001te	0.001te
	0.5lb	1lb	2lb	2lb
Units	kg, te			
	lb			
Weight	0.9kg	0.9kg	0.9kg	1.9kg
	2lb	2lb	2lb	4.2lb
Safety Factor	5:1			
Operating Temp	-30°C to +80°C / -22°F to 176°F			
Accuracy	±0.3% of applied load			
Protection	IP67 / NEMA 6			
Dimension A	70	70	70	100
	2.76	2.76	2.76	3.94
Dimension B	90	90	90	120
	3.54	3.54	3.54	4.72
Dimension C	19	19	19	26
	0.75	0.75	0.75	1.02
Dimension D	19	19	19	26
	0.75	0.75	0.75	1.02
Dimension E	M12 x 1.75	M16 x 2	M16 x 2	M24 x 2
Dimension F	32	32	32	45
	1.26	1.26	1.26	1.77