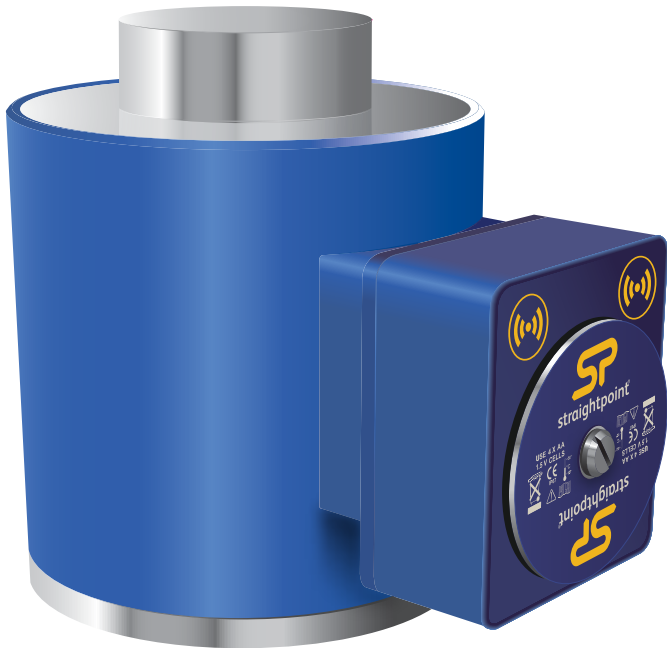


Wireless Compression Load Cell



Features and benefits:

- Proprietary 2.4 GHz wireless
- Industry leading wireless range of 700m/2300ft
- Connects to SW-MWLC, WCOGS & SW-PTP software
- Error free data transmission
- Internal antennae
- Environmentally sealed to IP67/NEMA 6
- No cable assemblies required
- Unrivalled resolution
- Unmatched battery life of 1200hrs
- Reduced maintenance cost
- Compact size
- Remote on-off
- Design validated by F.E.A.

The Straightpoint Wireless Compression Load Cell is taking the heavy lift and structural weighing industry by storm. By adding the Straightpoint wireless system to the already popular compression load cell line we have developed a cost-effective alternative to standard compression load cells.

No longer hindered by troublesome and hard to maintain cables, large scale projects can be completed in a fraction of time previously required. Maintenance costs are all but eliminated due to the absence of cables and connectors, and the products flexibility opens the door to a large number of applications in the heavy lift, energy, defence, rigging, shipping, and general transportation sectors, previously not considered.

Straightpoint's Wireless Compression Load Cells are machined from high grade stainless steel, providing excellent strength and corrosion resistance. The heavy duty, compact load cell utilises Straightpoint's advanced microprocessor based electronics and benefits from unrivalled resolution and accuracy. Data transmission is handled by the Straightpoint wireless systems proprietary transport protocol, is unmatched in performance and capable of a licence free transmission range of up to 700 metres or 2300 feet.

It is not until you add the powerful array of wireless accessories that the full potential of this product is realised. These accessories which include a wireless signal booster and several user friendly Windows-based software packages, provide a level of flexibility not previously known in the load monitoring industry.

When used with Straightpoint's WCOGS software these load cells will calculate centre of gravity and load. Connected to SW-MWLC it will allow the ability to data log and print reports, allowing the simultaneous display and monitoring of up to 100 wireless compression load cells on your PC or tablet. Lastly, coupled with Straightpoint's SW-PTP software the operator can perform load tests at a safe distance and generate real time test certificates on site.



making the lifting industry a safer place

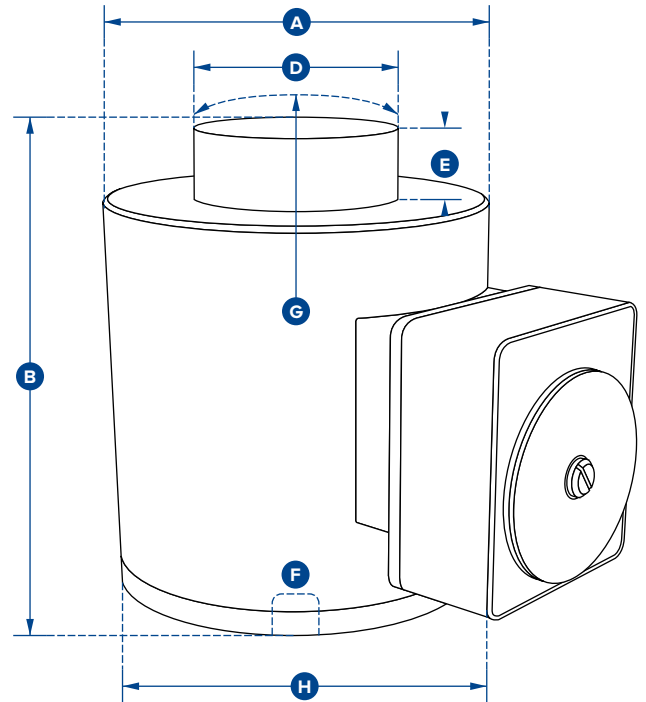
Also available with hazardous area approval



ATEX / IECEX
Ex ia II C T4 Ga

Certification numbers:
WNI ATEX
IECEX SIR 16.0041X / Sira 16ATEX2108X
SW-HHP ATEX
IECEX SIR 15.0072X / Sira 15ATEX2196X

Add 'ATEX' to the part number when ordering ATEX/IECEX products.
For example: WNI5TC-ATEX



Part Number	WNI5TC	WNI10TC	WNI25TC	WNI50TC	WNI100TC	WNI150TC	WNI300TC	WNI500TC
Capacity	5te 11000lb	10te 22000lb	25te 55000lb	50te 110000lb	100te 220000lb	150te 330000	300te 660000lb	500te 1100000lb
Resolution	0.001te 2lb	0.002te 5lb	0.005te 10lb	0.01te 20lb	0.05te 100lb	0.05te 100lb	0.1te 200lb	0.2te 500lb
Units	tonne lb							
Weight	6.2kg 13.64lb	6.2kg 13.64lb	6.2kg 13.64lb	6.2kg 13.64lb	15.5kg 34lb	15.5kg 34lb	65kg 143lb	65kg 143lb
Safety Factor	3:1							
Battery Type	Load cell 4 x AA Ex Loadcell 4 x Energizer® Ultimate Lithium AA Batteries							
Battery Life	Load cell 1,200 hours continuous							
Operating Temp	-10°C to +50°C / 14°F to 122°F							
Accuracy	±0.3% of applied load							
Frequency	2.4 GHz							
System Range	700 metres / 2300 feet							
Data Rate	3Hz (configurable to 200Hz)							
Protection	IP67 / NEMA 6							
Dimension ØA	102 4.02"	102 4.02"	102 4.02"	102 4.02"	152 5.98"	152 5.98"	185 7.28"	185 7.28"
Dimension B	127 5.00"	127 5.00"	127 5.00"	127 5.00"	184 7.24"	184 7.24"	300 11.81"	300 11.81"
Dimension ØD	59 2.32"	59 2.32"	59 2.32"	59 2.32"	80 3.15"	80 3.15"	155 6.10"	155 6.10"
Dimension E	13 0.51"	13 0.51"	13 0.51"	13 0.51"	26 1.02"	26 1.02"	27.5 1.08"	27.5 1.08"
Dimension F	M18 x 2.5 M18 x 2.5	M18 x 2.5 M18 x 2.5	M18 x 2.5 M18 x 2.5	M20 x 2.5 M20 x 2.5	M20 x 2.5 M20 x 2.5	M20 x 2.5 M20 x 2.5	M20 x 2.5 M20 x 2.5	M20 x 2.5 M20 x 2.5
Dimension G	152 5.98"	152 5.98"	152 5.98"	152 5.98"	432 17.01"	432 17.01"	432 17.01"	432 17.01"
Dimension H	158 6.22"	158 6.22"	158 6.22"	158 6.22"	208 8.19"	208 8.19"	241 9.49"	241 9.49"