

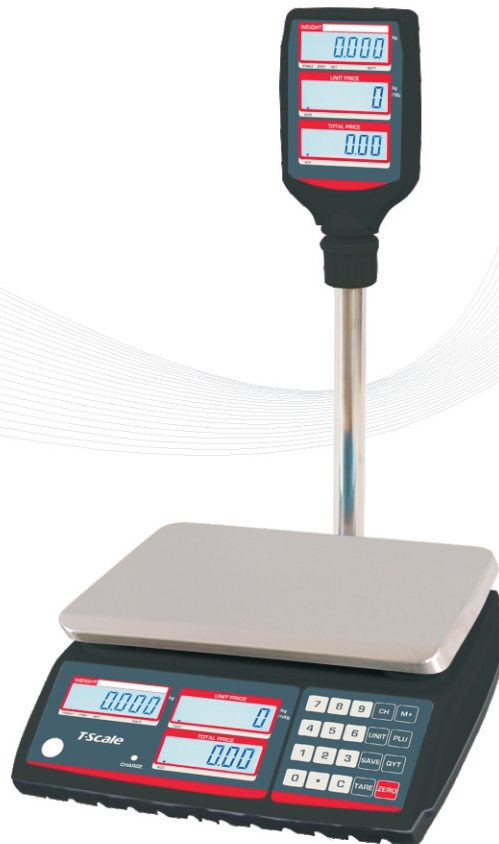
WTP/WSP Price Computing Scales

General Specifications

• Display	15mm digit LCD display, with white LED backlight
• Capacities	6kg~30kg
• Pan size	204 x263mm
• Keyboard	20keys (Membrane keyboard)
• Housing	ABS plastic
• Max. Divisions	3,000e; 2 x 3,000e
• ADC update	≤1/10 second
• Operate Temp	-10°C~+40°C
• Power	AC adapter (12V/500mA),built-in rechargeable battery (6V/3.2Ah)
• WTP Gross weight	4.1kg
• WSP Gross weight	4.5kg



WTP



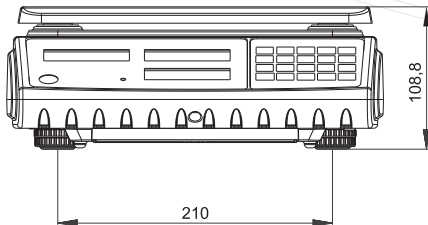
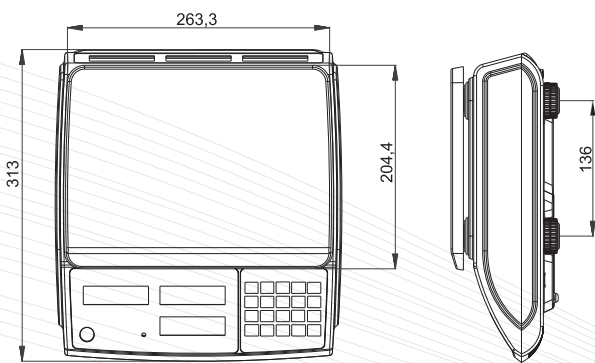
WSP

- Standard stainless pan and dust cover
- 10 indirect PLU
- Accumulation, Weighing unit conversion and Change function
- Auto unit price clear
- Pole display (WSP)
- Battery provide up to 60 hours of continuous use (without backlight)

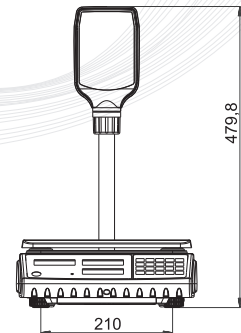
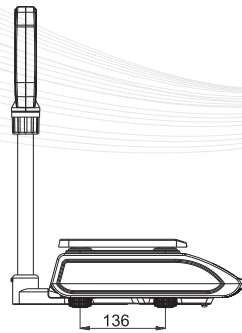
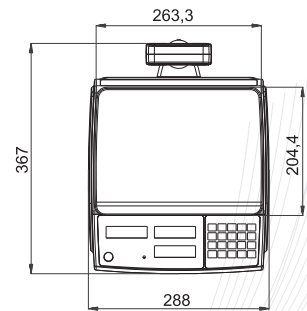
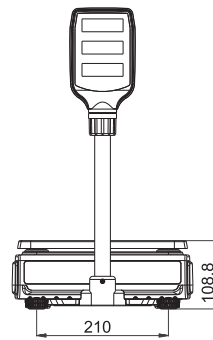
WTP/WSP Price Computing Scales

Model Name	Capacity	Readability	Division	Approx. weight	Approval
WSP-6K-MR	3/6kg	1g/2g	2x3,000e	4.5kg	CE, OIML
WSP-15K-MR	6/15kg	2g/5g	2x3,000e	4.5kg	CE, OIML

Dimensions(mm)



WTP



WSP