

T28 Weighing Scales

General Specifications

- Display 25mm digit LCD display, with white LED backlight
- Capacities 3kg~25kg
- Pan size 230 x 190mm
- Keyboard 3keys (Membrane keyboard)
- Housing ABS plastic
- Max. Divisions 3,000e; 2x3,000e; 15,000d
- ADC Sigma delta
- ADC update $\leq 1/10$ second
- Operate Temp $-10^{\circ}\text{C} \sim +40^{\circ}\text{C}$
- Power AC adapter (12V/500mA) or rechargeable battery (6V/4Ah)
- Gross weight 3.5kg
- Packing Master carton packing, dimension 0.018m^3
Master carton 4 in 1 packing, dimension 0.091m^3



- Waterproof housing designed, rugged and dependable
- Standard SST pan
- Battery provide up to 70 hours of continuous use (without backlight)
- Optional rear display
- Optional initial-verification

Specifications are subject to change without notice

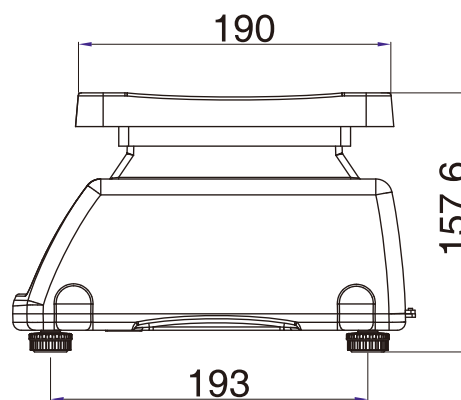
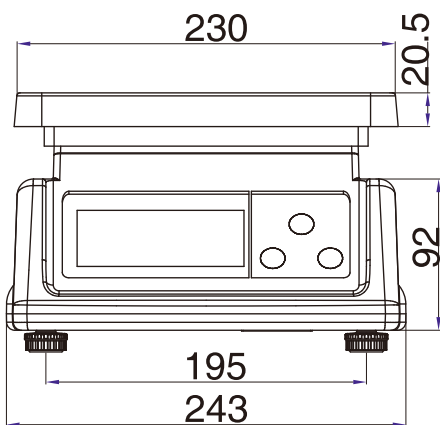
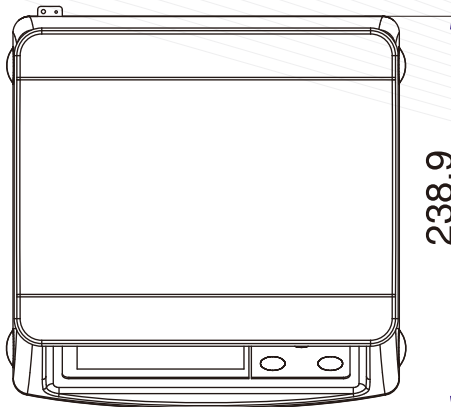
T28 Weighing Scales

Model Name	Capacity	Readability	Division	Approx. weight	Approval
T28-3K	3kg	0.2g	15,000d	3.5kg	CE
T28-6K	6kg	0.5g	15,000d	3.5kg	CE
T28-15K	15kg	1g	15,000d	3.5kg	CE
T28-6K-MR	3kg/6kg	1g/2g	2x3,000e	3.5kg	CE, OIML
T28-15K-MR	6kg/15kg	2g/5g	2x3,000e	3.5kg	CE, OIML
T28-25K-MR	15kg/25kg	5g/10g	2x3,000e	3.5kg	CE, OIML

Options



Dimensions(mm)



Specifications are subject to change without notice