



KERN & Sohn GmbH

Ziegelei 1

D-72336 Balingen

E-Mail: info@kern-sohn.com

Phone: +49-[0]7433- 9933-0

Fax: +49-[0]7433-9933-149

Internet: www.kern-sohn.com

Installation Instructions

Balance table

KERN YPS-03

Version 3.1

09/2014

GB



YPS-03-IA-e-1431



KERN YPS-03

Version 3.1 09/2014

Installation Instructions

Balance table

Contents

1	Introduction	3
2	Technical data	3
3	Scope of delivery.....	4
4	Assembling the table	5
5	Attendance.....	6

English

1 Introduction

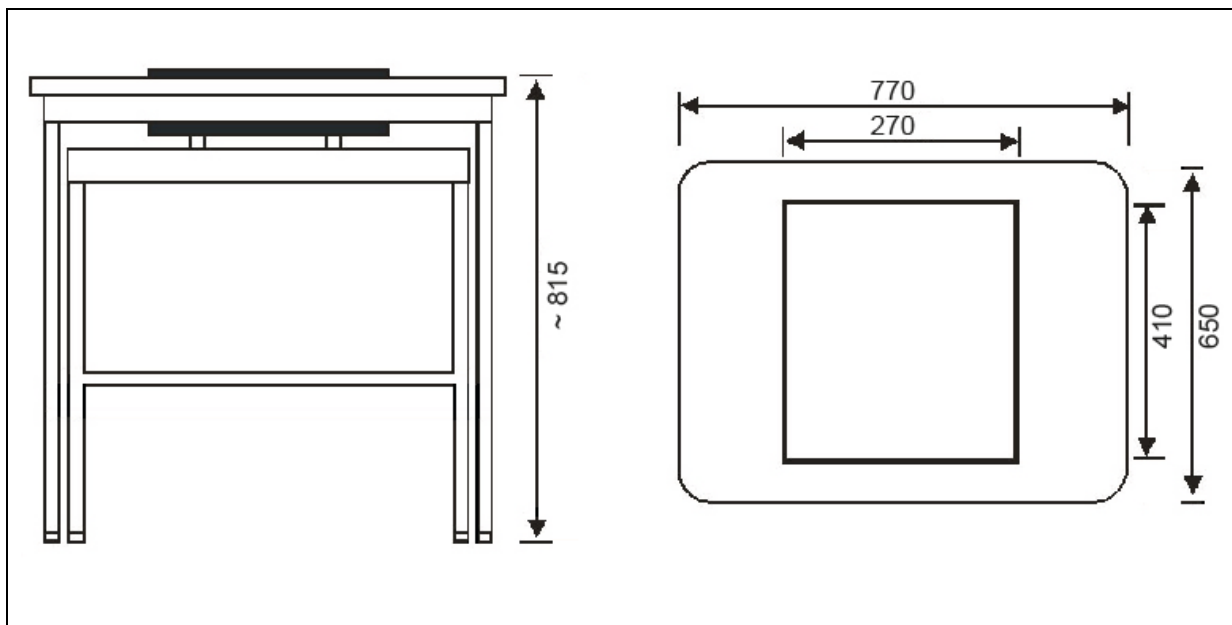
The KERN balance table was designed for laboratories and metrology rooms in order to create suitable working conditions for devices that react sensitively to vibrations and shocks.

The table comprises two different components:

- An integrated work space with shock-absorbing rubber blocks attached to a stone slab
- An external work table with aluminium profile frame and height-adjustable feet

2 Technical data

Total dimensions (B x D x H)	770 x 650 x 815 mm (height adjustable)
Dimensions stone slab	410 x 270 x 115 mm
Weight stone slab	34 kg
Total weight	55 kg



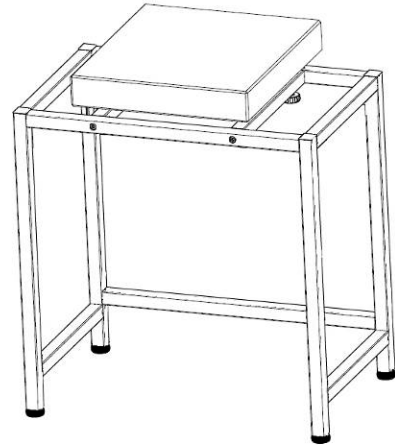
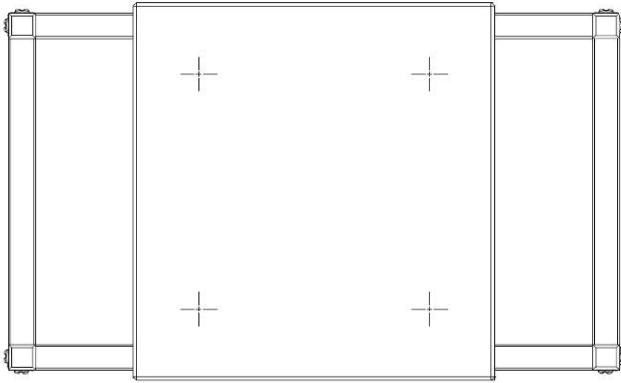
3 Scope of delivery



1. Stone slap
2. Main table
3. Integrated table
4. Installation Instructions (not shown)

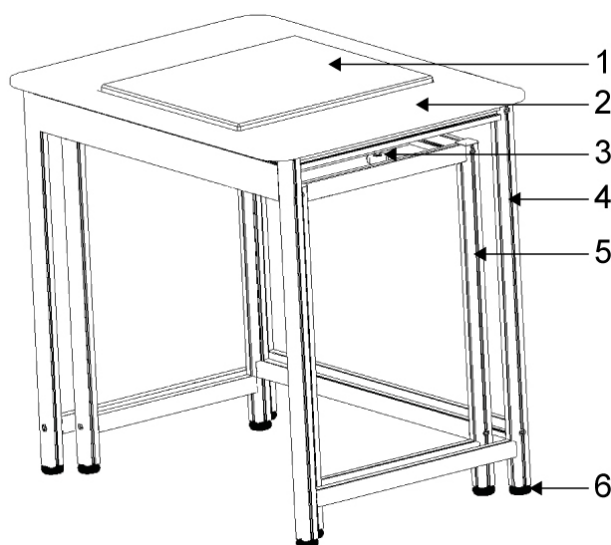
4 Assembling the table

- ⇒ Place integrated table on a flat surface
- ⇒ Place stone slab in the centre of the integrated table



- ⇒ Pull main table over integrated table. Take care that the stone slab does not touch the table top.
- ⇒ Level the height-adjustable feet until both tables are in a level position.
- ⇒ Adjust the stone slab, using the levelling screws, in such a way that it protrudes 2-5 mm over the table top





No.	Description
1	Stone slab
2	Table top
3	Setting screws stone slab
4	Main table
5	Integrated table
6	Height adjustable feet (8 items)

5 Attendance

- Do not disassemble the weighing table without looking at the assembling instructions.
- Do not shift the table by force or abruptly. We recommend you lift the table and then cautiously put it down again.
- To clean off stains, wipe the table with a soft cloth soaked in detergent. Do not use organic solutions for wiping off stains.
- Place the weighing table in a dry and clean environment. Do not erect out of doors. Do not use in the vicinity of fire or in environments with high temperatures. Avoid exposure to direct sunlight.