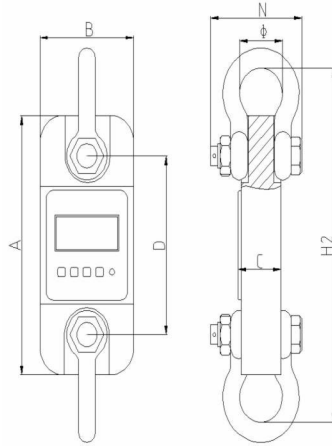




Wireless Dynamometer Model: DL-W5



- ◆ **Body protection:** Aluminum and alloy steel capacities are powder coated.
- ◆ **Accuracy:** 0.05% for 1-50t, 0.1% for above 50t capacity.
- ◆ **Units:** Units are clearly display on the screen, available in the following measurement reading: kilograms(kg), short Tons(t) pounds(lb), Newton and kilonewton(kN)
- ◆ **Shackles:** High tension industrial standard G2130 anchor shackle bows, galvanized finish.
- ◆ **Gravity regulation:** The acceleration of gravity can be regulated through indicator according to different places value.
- ◆ **Functions:** wireless indicator with many functions: Zero, tare, Low battery warnings, peak hold, overload warning. User calibration(with password).
- ◆ **Set-Point:** Two user programmable Set-Point can be used for safety and warning applications or for limit weighing.
- ◆ **Body indicator key:** 4 local mechanical keys: "ON/OFF", "ZERO", "PEAK" and "Unit Change".
- ◆ **Indicator communications:** Both RS232 serial port and USB port, solve most laptops without serial port problem. with the Everight company's PC host computer software, not only display weigh value and stable information on the PC ,can also enter company's name, complete storage ,print query and other functions.
- ◆ **Antenna:** Internal antenna.
- ◆ **Function on indicator keyboard:** It can print data, time,Serial number, commodity number, net weight and total weight. Also can input 16 digits head information, It can store up to 2000 weighing records. It can be statistics by serial number or commodity number, also can statistics by data, statistical results can be printed with weighing number and total weight.

Profile

DL-W5 wireless dynamometer is an extremely well-built instrument for industry use ,as a standard wireless tool offer universal applications, Whether used as conventional crane weigher or to measure force, DL-W5 wireless dynamometer is the latest design, compatible with the concept of portable, print and easy to operate. Shoulder bag style leather case,easy to carry, suitable for protected outdoor use., calibration is easier with 580 indicator.

Main technical data

Body display	25mm (1") 5digits LCD with backlight
Indicator display	25mm (1") 5digits LCD with backlight
Power on zero range	20% F.S.
Manual Zero Range	4% F.S.
Tare Range	20% F.S.
Stable Time	≤5 seconds
Overload Indication	100% F.S. + 9e
Max. Safety Load	125% F.S.
Ultimate Load	400% F.S.
Battery Life	≥50 hours
Body Battery	"LR6(AA)"size alkaline batteries. 1.5V x 3
Indicator Battery	Rechargeable Ni-H battery, SC 3.5Ah
Operating Temp	- 20 C ~ + 50 C
Operating Humidity	≤85% RH under 20 C
Indicator printer	FUJITSU FTP-628 MCL101#50" high speed thermal printer
Wireless Distance	Min. 80m(default) [200m(optional)]
Wireless Frequency	2.4GHz(default),433MHz,868MHz(optional), up to 128 channels available

DIMENSIONS AND SPECIFICATIONS

MODEL	Cap.(kg)	Resolution (kg)	A(mm)	B(mm)	C(mm)	D(mm)	Φ(mm)	H(mm)	Unit Weight (kg)	Weight with shackles(kg)	Material
DL-W5-1	1000	0.5	245	112	37	190	43	335	1.6	3.1	Aluminum
DL-W5-2	2000	1	260	123	37	195	51	365	2.1	4.6	Aluminum
DL-W5-3	3000	1	260	123	37	195	51	365	2.1	4.6	Aluminum
DL-W5-5	5000	2	285	123	57	210	58	405	2.7	6.3	Aluminum
DL-W5-10	10000	5	320	120	57	230	92	535	10.4	24.8	Alloy Steel
DL-W5-20	20000	10	375	128	74	260	127	660	17.8	48.6	Alloy Steel
DL-W5-30	30000	10	420	138	82	280	146	740	25	73	Alloy Steel
DL-W5-50	50000	20	465	150	104	305	184	930	39	128	Alloy Steel
DL-W5-100	100000	50	570	190	132	366	229	1230	81	321	Alloy Steel
DL-W5-200	200000	100	720	265	183	440	280	1362	210	776	Alloy Steel