

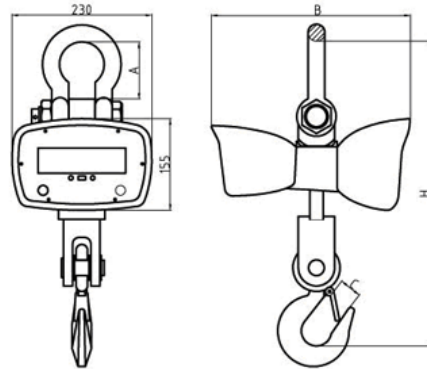


OCS-S SERIES Heavy Duty Hanging Scale



Features

- IP54 rated
- Powder coated die cast aluminium housing
- Fixed hook
- Selectable weighing units
- 30mm LED display
- Full range tare.
- Remote control
- Other capacities available



Specifications

MODEL	CAPACITY kg	DIVISION kg	OVERALL HEIGHT mm	WEIGHT kg
OCS-S-1500	1500	0.5	510	19
OCS-S-3000	3000	1	510	19
OCS-S-5000	5000	2	625	30