



radiolink plus – ATEX



**Wall or Cab
Mount Bracket**
available for handheld
Part No.
SU3282



**ATEX
IECEx**
Ex ia II C T4 Ga

Certification numbers:

RLP ATEX
IECEx SIR 15.0071X
Sira 15ATEX2195X

SW-HHP ATEX
IECEx SIR 15.0072X
Sira 15ATEX2196X

This new version of the bestselling Radiolink plus is ATEX and IECEx approved to Ex ia II T4 Ga for use in zones 0, 1 and 2 hazardous environments (gas). Capable of both static weighing and dynamic load monitoring the RLP-ATEX is designed for the on and offshore oil and gas, chemical and other industries with challenging hazardous areas.

Available from stock in capacities from 1t to 300t, constructed from high-quality aircraft grade aluminium and featuring an advanced internal design structure. This internal design structure not only provides the product with an unrivalled strength to weight ratio, it also allows the use of a separate internal sealed enclosure providing the load cell's electronic components with IP67 environmental protection, even with the battery cover plate missing, making this industry leading dynamometer even more suitable for use in the harshest environments.

Featuring industry leading wireless technology and range, the versatile Radiolink plus is supplied with an update rate of 3Hz and can be easily configured to run at industry leading speeds of up to 200Hz. Data is transmitted wirelessly utilising the latest in IEEE 802.15.4 (2.4 GHz) technology providing safe, high-integrity, error-free transmission of both static weight and dynamic load to an ATEX/IECEx approved wireless handheld controller, the SW-HHP-ATEX.

The Radiolink plus-ATEX utilises easily sourced Energizer® Ultimate Lithium AA Batteries and features advanced circuitry designed to protect the load cell from damage if the batteries are incorrectly installed. This advanced circuitry extends battery life, and the use of easily sourced batteries eliminates issues associated with rechargeable battery pack charging, failure and replacement. It is easy to see why, globally, the Radiolink plus-ATEX is the number one choice for weighing and dynamic load monitoring in hazardous applications.

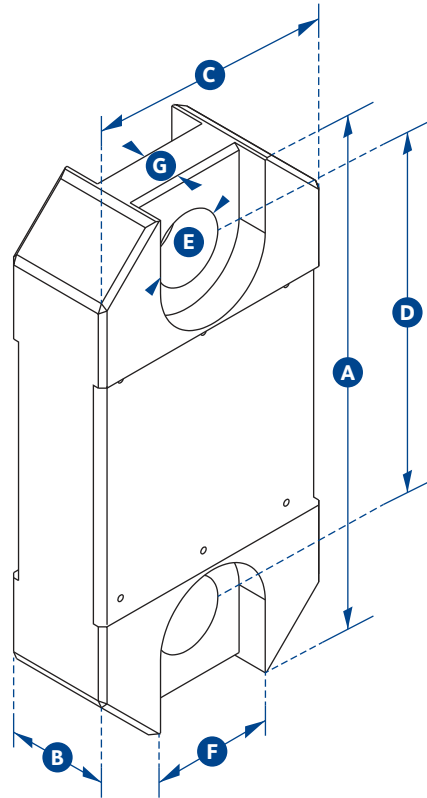
Certification Numbers: **RLP ATEX** - IECEx SIR 15.0071X, Sira 15ATEX2195X
SW-HHP ATEX - IECEx SIR 15.0072X, Sira 15ATEX2196X

Features and benefits:

- Approved for use in hazardous zones 2, 1 and 0
- Proprietary 2.4 GHz Wireless
- Industry Leading Wireless Range
- Error Free Data Transmission
- Unrivalled Resolution
- Environmentally Sealed
- Unmatched Battery Life
- Internal Antennae
- Compact Size
- Remote On-Off
- Lightweight
- Peak Hold
- Design validated by F.E.A.
- Product independently approved by SIRA

metric specifications

radiolink plus – ATEX



| Part Number | RLP1T-EX | RLP2T5-EX | RLP5T-EX | RLP12T-EX | RLP25T-EX | RLP35T-EX | RLP50T-EX | RLP75T-EX | RLP100T-EX | RLP150T-EX | RLP200T-EX | RLP250T-EX | RLP300T-EX |
|----------------|---|-----------|----------|--------------------------------|-----------|-----------|-----------|-----------|------------|------------|------------|------------|------------|
| Capacity | 1,000kg | 2.5te | 5te | 12te | 25te | 35te | 50te | 75te | 100te | 150te | 200te | 250te | 300te |
| Resolution | 0.5kg | 0.001te | 0.001te | 0.002te | 0.005te | 0.005te | 0.01te | 0.01te | 0.05te | 0.05te | 0.1te | 0.1te | 0.1te |
| Units | kg | te | te | te | te | te | te | te | te | te | te | te | te |
| Weight | 1.4kg | 1.4kg | 2kg | 3.2kg | 5kg | 8.6kg | 11.5kg | 16kg | 34kg | 46kg | 72kg | 72kg | 118kg |
| Safety Factor | 12:1 | 5:1 | 5:1 | 5:1 | 5:1 | 5:1 | 5:1 | 5:1 | 5:1 | 4:1 | 5:1 | 4:1 | 5:1 |
| Approval Spec | Ex ia II C T4 Ga for use in zone 2, 1 and 0 | | | | | | | | | | | | |
| Battery Type | Handheld 2 x Energizer® Ultimate Lithium AA Batteries / Loadcell 4 x Energizer® Ultimate Lithium AA Batteries | | | | | | | | | | | | |
| Battery Life | Handheld 60 hours/Load cell 1200 hours continuous | | | | | | | | | | | | |
| Display Type | 6 digit 25mm LCD | | | | | | | | | | | | |
| Operating Temp | -10°C to +50°C | | | | | | | | | | | | |
| Accuracy | ± 0.3 % of applied load | | | | | | | | | | | | |
| Frequency | 2.4 GHz | | | | | | | | | | | | |
| System Range | 700 metres | | | | | | | | | | | | |
| Data Rate | 3 Hz - up to 200 Hz can be ordered for dynamic load monitoring applications | | | | | | | | | | | | |
| Protection | IP67 | | | | | | | | | | | | |
| Dimension A | 204 | 204 | 249 | 305 | 340 | 393 | 424 | 470 | 608 | 670 | 700 | 700 | 806 |
| Dimension B | 43 | 43 | 43 | 47 | 60 | 75 | 75 | 75 | 99 | 99 | 144 | 144 | 150 |
| Dimension C | 101 | 101 | 101 | 101 | 115 | 126 | 163 | 202 | 255 | 303 | 320 | 320 | 426 |
| Dimension D | 146 | 146 | 165 | 193 | 215 | 225 | 230 | 260 | 320 | 360 | 350 | 350 | 350 |
| Dimension E | 24.5 | 24.5 | 38 | 47.5 | 55 | 60 | 76 | 76 | 109 | 109 | 132 | 132 | 160 |
| Dimension F | 48 | 48 | 66 | Not available on this capacity | | | | | | | | | |
| Dimension G | 19 | 19 | 32 | Not available on this capacity | | | | | | | | | |
| Crosby Shackle | G2130 | | | | | | G2140 | | | | | | |
| Loading Pin Ø | 19 | 19 | 25 | 35 | 51 | 57 | 57 | 70 | 83 | 95 | 121 | 127 | 152 |