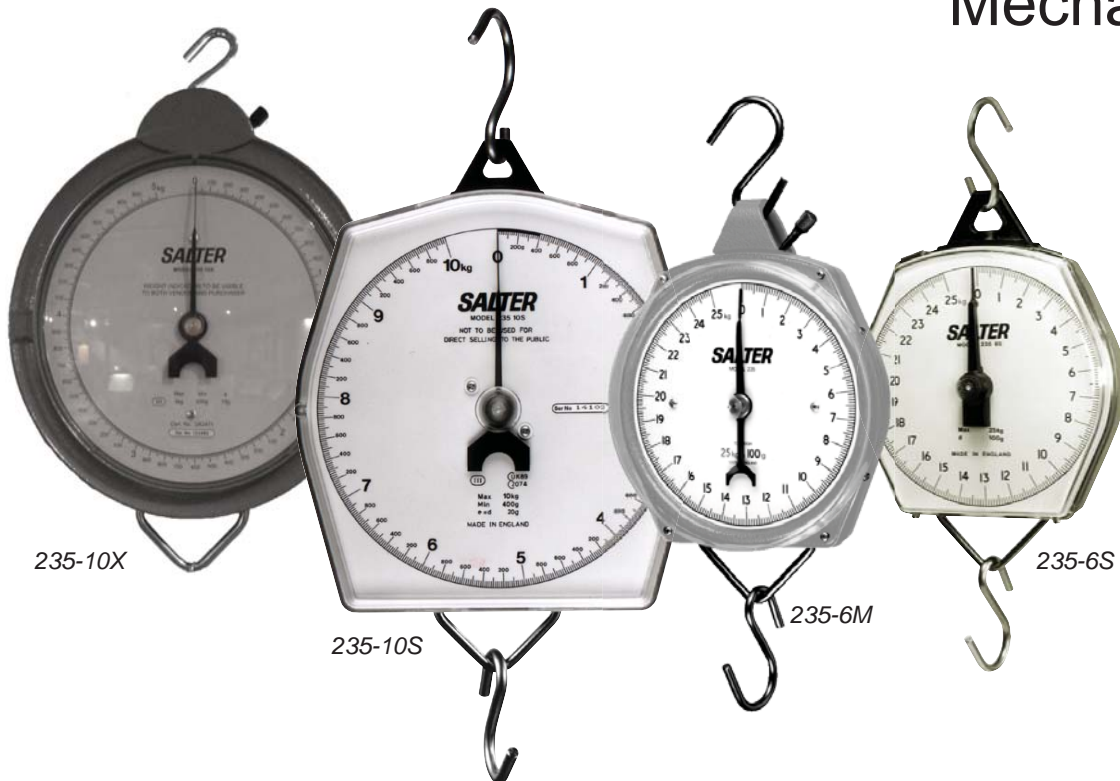


235 Series

Mechanical



- **Capacity**– 5 kg to 300 kg
- **Robust**
- **Accurate**
- **Reliable**
- **Portable**
- **Metric**
- **Low Cost**
- **Easy-to-Read**
- **Corrosion Resistant**

VALUE IN
WEIGHING



235 Series

Model 235-6S

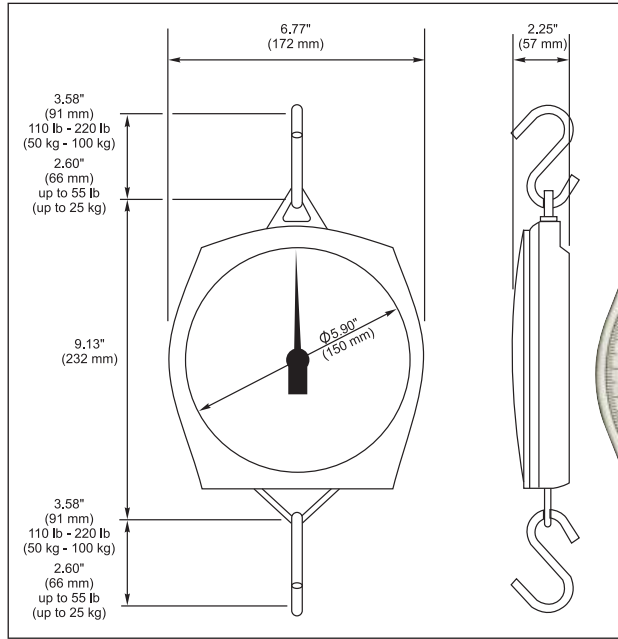
Compact, robust and corrosion resistant, 150 mm / 6" diameter dial housed in a tough ABS plastic case with shatterproof polycarbonate dial cover. Low friction acetal bearings provide positive movement to give maximum sensitivity. Accurate to one part in 250 with up to 15% zero adjust. Supplied with top and bottom hooks.

Single Marked

- 5 kg x 20 g
- 5 kg x 20 g with oblong pan
- 10 kg x 50 g
- 25 kg x 100 g
- 50 kg x 200 g
- 100 kg x 500 g

Option

Oblong pan (5 kg)

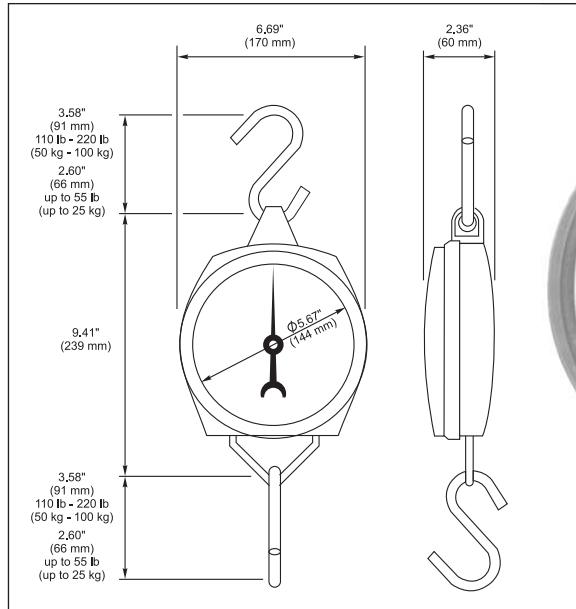


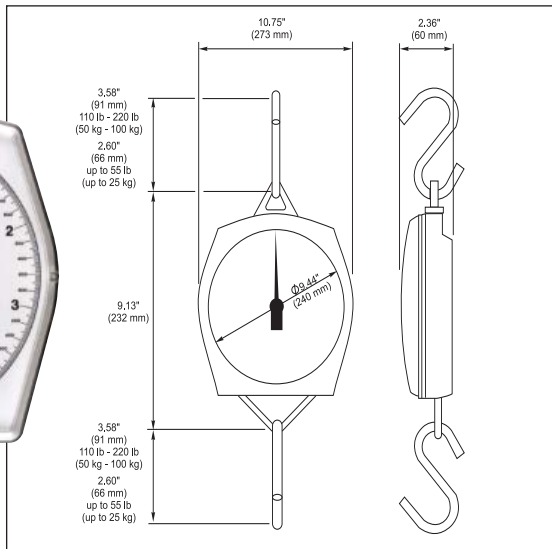
Model 235-6M

Compact, robust, 150 mm / 6" diameter dial housed in the traditional metal case. Accurate to one part in 250 with up to 10% zero adjustment. Supplied with top and bottom hooks.

Single Marked

- 5 kg x 20 g
- 10 kg x 50 g
- 25 kg x 100 g
- 50 kg x 200 g
- 100 kg x 500 g
- 200 kg x 1 kg





Model 235-10S

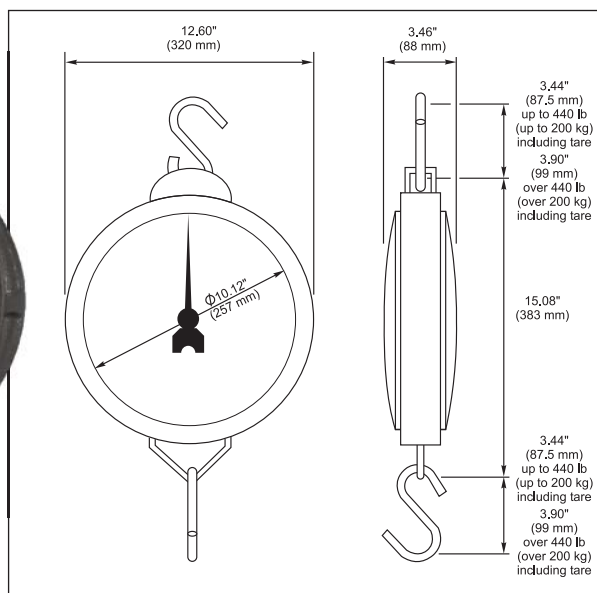
Robust and corrosion resistant, large easy to read 254 mm diameter dial housed in a tough ABS plastic case with a shatterproof polycarbonate dial cover. Low friction bearings provide positive movement to give maximum sensitivity. Accurate to one part in 500 with up to 15% zero adjust. Supplied with top and bottom hooks.

Single Marked

- 5 kg x 10 g
- 5 kg x 20 g with oblong pan
- 10 kg x 20 g
- 25 kg x 50 g
- 50 kg x 100 g
- 100 kg x 200 g

Option

- Oblong pan (5 kg)



Model 235-10X

Heavy duty suspended scale. Easy to read dial housed in a robust die cast casing. Low friction bearings provides positive movement to give maximum sensitivity. Accurate to one part in 500 with up to 10% zero adjustment. Supplied with top and bottom hooks as standard.

Single Marked

- 5 kg x 20 g with oblong pan
- 100 kg x 200 g
- 200 kg x 500 g
- 300 kg x 1 kg

Options

- Oblong pan (5 kg)
- Swivel hook



a division of Avery Weigh-Tronix, LLC

Brecknell

1000 Armstrong Dr., Fairmont, MN 56031
Toll free: 800-637-0529, Tel: 507-238-8702
Fax: 507-238-8271
e-mail: sales@brecknellscales.com
www.brecknellscales.com



Brecknell

Foundry Lane, Smethwick
West Midlands B66 2LP UK
Tel: +44 (0) 845 246 6717
Fax: +44 (0) 845 246 6718
Email: sales@brecknellscales.co.uk
www.brecknellscales.co.uk

