

SPECIFICATIONS

- ◆ external resolution.....max 1/4,000
- ◆ operating temperature.....0°C ~ +40°C
- ◆ operating humidity.....0 ~ 80%
- ◆ safe overload.....120%F.S
- ◆ max overload.....150%F.S
- ◆ max capacity 2000kg

STANDARD FEATURES

- ◆ 4 load cell
- ◆ Waterproof junction box
- ◆ Rechargeable battery 6V/10Ah
- ◆ Backlit 52mm LCD display



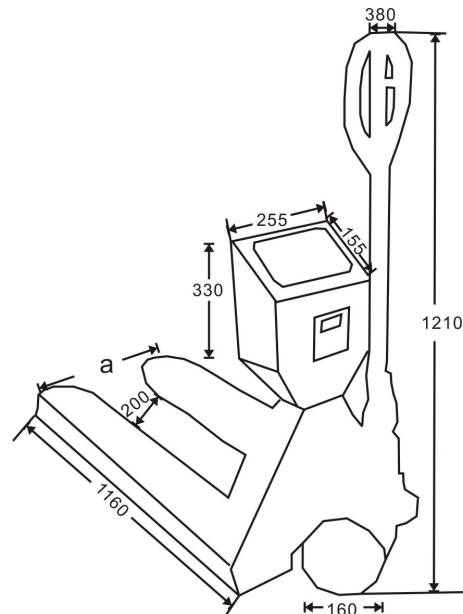
OPTIONS

- ◆ Built-in mini printer

FEATURES

- ◆ Four load cell accuracy
- ◆ Rugged and dependable
- ◆ Overload up to 150%
- ◆ Waterproof junction box
- ◆ User defined (free set) print format
- ◆ Built-in rechargeable battery, up to 60 hours operation
- ◆ Function include change weighing unit, net/gross shift, pretare, Accumulate

DIMENSIONS (mm)



Fork Overall	Width (a)	555 MM
Fork height lowered		85mm
Fork height raised		200mm